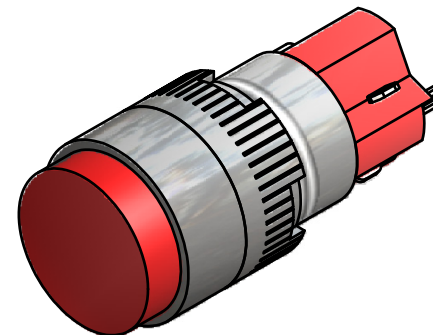
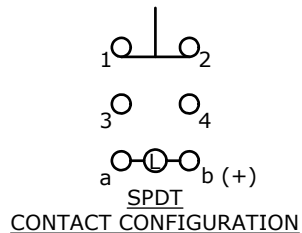
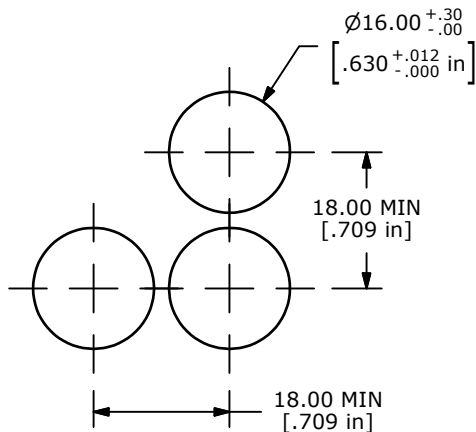
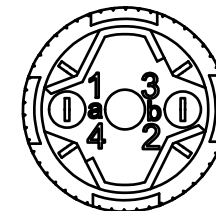
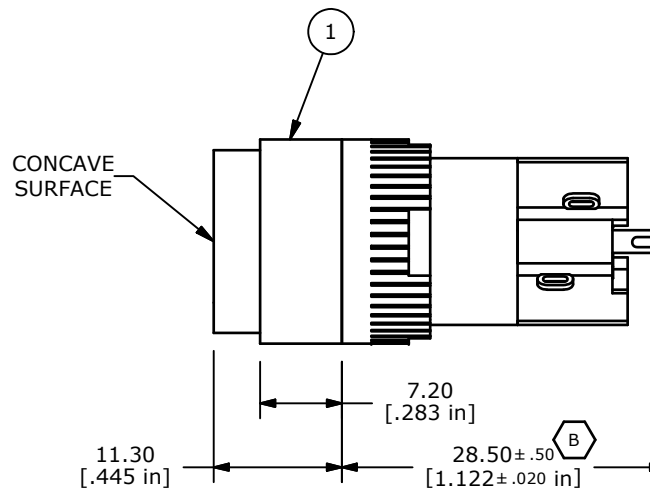
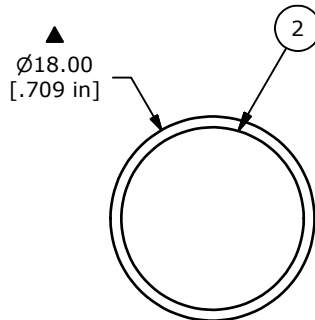


ITEM	QTY	PART NUMBER	DESCRIPTION
1	1	F040009	D160AR11
2	2	F050104	50-001-04 TRANSPARENT RED LENS



PANEL MOUNTING



NOTE:

1. ALL DIMENSIONS IN MM [INCH]
2. GENERAL TOLERANCE: X.X=±0.4  
X.XX=±0.25
3. TERMINAL NUMBERS FOR REF ONLY
4. MECHANICAL LIFE: 100,000 CYCLES
5. ELECTRICAL LIFE: 50,000 CYCLES
6. INSULATION RESISTANCE: 1,000 MILLI-OHM MIN.
7. OPERATING TEMPERATURE: -25°C to 55°C
- ▲8. LAMP VOLTAGE: NO LAMP
9. ▲ DENOTES CRITICAL PARAMETER.
- ▲10. CONTACT RATING: 5A@250VAC, 8A@125VAC, 6A@24VDC
11. ACTUATION FORCE: 300g/POLE
12. 2002/95/EC (ROHS) COMPLIANT



TITLE D160AR110RED				
SCALE	DATE	DR	DWG	REV
1.5:1	3/15/2011	BGL	XF0054P	B

B	19759	DRAWING UPDATE / CLEAN-UP	3/15/11	BGL
REV	PCR NO	DESCRIPTION	DATE	BY

THE INFORMATION CONTAINED IN THIS DOCUMENT IS PROPRIETARY TO E-SWITCH AND IS NOT TO BE COPIED OR TRANSFERRED